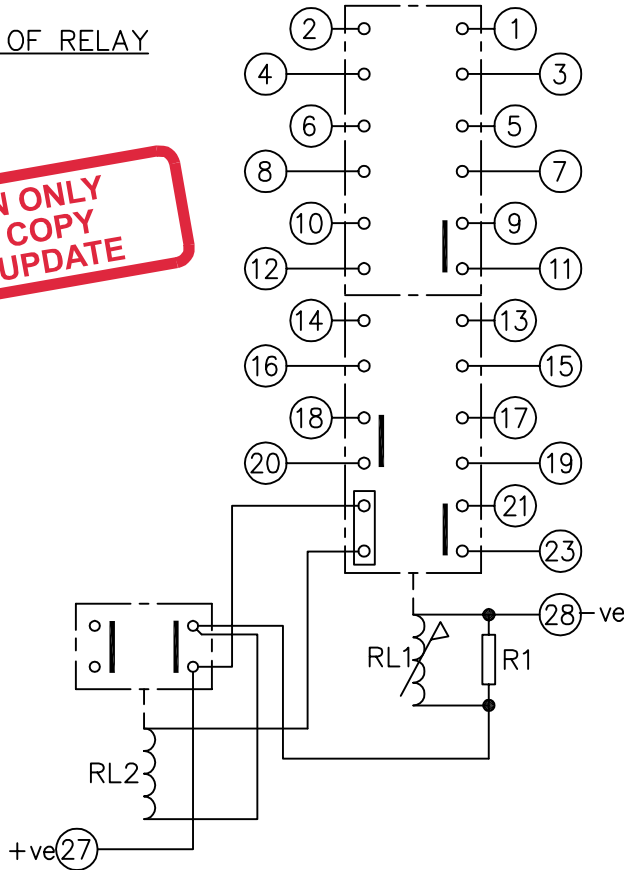


LOOKING ON FRONT OF RELAY

**FOR INFORMATION ONLY
UNCONTROLLED COPY
NOT SUBJECT TO UPDATE**

2112W50040



KEY	R1		390R		2102C35391		60		2X100R IN SERIES 2102C41101		240	
	Vdc	24	30	48	60	125	240					
○ ○	make contact											
⊠	break contact											
⊠ ○ ○	c/o contact											
②	ext. conn											
⌋	plug bridge - shorting											
⊙	metering point											
⌋ - ⌋	5Kv barrier											
⊠	test socket - shorting											
⊙	plug & socket											
CONTACT CONFIG.	1-3	2-4	5-7	6-8	9-11	10-12	13-15	14-16	17-19	18-20	21-23	
11M	M	M	M	M	M	M	M	M	M	M	M	
10M 1B	M	B	M	M	M	M	M	M	M	M	M	
9M 2B	B	B	M	M	M	M	M	M	M	M	M	
8M 3B	B	B	M	B	M	M	M	M	M	M	M	
7M 4B	B	B	B	B	M	M	M	M	M	M	M	
6M 5B	B	B	B	B	M	B	M	M	M	M	M	
5M 6B	B	B	M	B	M	M	B	B	B	M	M	
4M 7B	B	B	B	B	M	M	B	B	B	M	M	
3M 8B	B	B	B	B	M	B	B	B	B	M	M	

NOTE:
1. CONTACT CONFIGURATION ABOVE IS REQUIRED FOR RELAY OPERATION. FOR DETAILS OF VARIABLE CONTACT OPTIONS SEE TABLE OPPOSITE.
2. RESISTOR R1 IS FITTED ONLY WHEN REQUIRED. SEE TABLE ABOVE.

FRAME REFERENCE: E4FS05.

FRAME TERMINAL BLOCK ASSY: -

ASSEMBLY INSTRUCTIONS: -

TYPICAL ASSEMBLY DRAWING 2995G10032.

AT INDICATED POSITIONS FIT AS FOLLOWS:

T - FIT TRIP ISOLATION CONTACT 2995B10053

S - FIT STANDARD CONTACT 2995B10054

SECURE CONTACTS USING FIXING SCREW

2109F99009.

POSITIONS SHOWN BLANK ARE UNUSED

2	T	T	1
4	T	T	3
6	T	T	5
8	T	T	7
10	T	T	9
12	T	T	11
14	T	T	13
16	T	T	15
18	T	T	17
20	T	T	19
22	T	T	21
24	T	T	23
26			25
28	S	S	27

VIEW FROM NUMBERED SIDE OF BLOCK

OUTER TERMINAL BLOCK ASSY: -

ASSEMBLY INSTRUCTIONS: -

TYPICAL ASSEMBLY DRAWING 2995G10029.

AT INDICATED POSITIONS FIT AS FOLLOWS:

S - FIT STANDARD CONTACT 2995B10051

HC - FIT 'HEAVY CURRENT' KIT 2995G10030

WHERE ⊙-⊙ IS SHOWN FIT CT SHORTING

KIT 2995G10031

POSITIONS SHOWN BLANK ARE UNUSED.

ALL POSITIONS FIT SCREW 2106F12506.

2	S	S	1
4	S	S	3
6	S	S	5
8	S	S	7
10	S	S	9
12	S	S	11
14	S	S	13
16	S	S	15
18	S	S	17
20	S	S	19
22	S	S	21
24	S	S	23
26			25
28	S	S	27

VIEW FROM INSIDE FACE

			Title. T.B. AND WIRING DIAG. FOR TR223-11 RELAY IN EPSILON E4 CASE.		First used on:	
					Similar Articles:	
					Supersedes:	
3 RDW 14/11/05 MN112/2744			Reyrolle Protection Hebburn.		Original Scale.	
2 27/04/00 MN995/09					Drg.No. 2112W50040	
ISSUE	DATE	MOD.No.	DRAWN: A.LAW.		CHECKED:	APPROVED: R.D.WATSON
			DATE: 16/07/02		Copyright © 1998 Reyrolle Ltd	